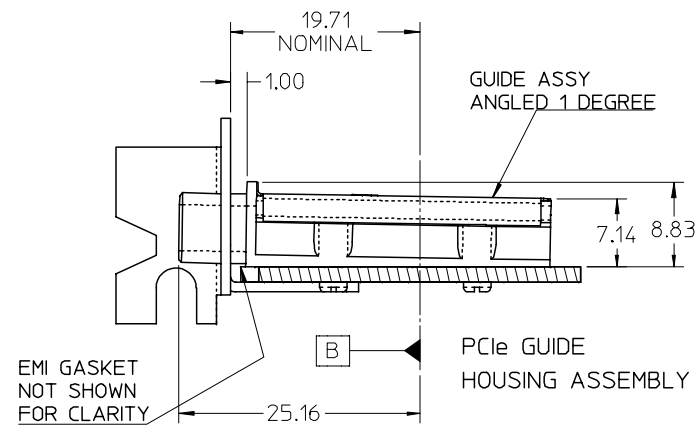
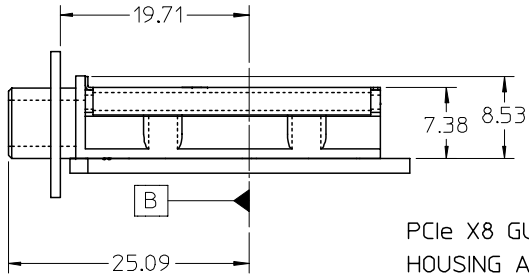


- NOTES:
- REF. PCI EXPRESS CARD ELECTROMECHANICAL SPECIFICATION, REV 1.0a FOR IO BRACKET WINDOW LOCATION.
 - PCB AND IO BRACKET SHOWN FOR REFERENCE ONLY.
 - REFER TO SHEET 2 FOR ATCA GUIDE HOUSING ASSY. SEE SHEET 3 FOR SCREEN LENGTH + TORQUE SPEC.
 - GUIDE HOUSING MOUNTING THREAD- M2 X 0.4
 - PCB NOTCH IS SHOWN FOR PCI COMPLIANT BOARD.
 - THIS PRODUCT MEETS THE RESTRICTIONS OF HAZARDOUS SUBSTANCES IN ELECTRICAL AND ELECTRONIC EQUIPMENT (RoHS) DIRECTIVE (2002/95/EC)
 - PLATE GROUND PAD WITH EMERSON SILVER OR GOLD.
 - MATES WITH MOLEX 8X CABLE SERIES 74546-080X.
 - GUIDE HOUSING PEGS FOR ALIGNMENT ONLY.
 - "DO NOT SOLDER"

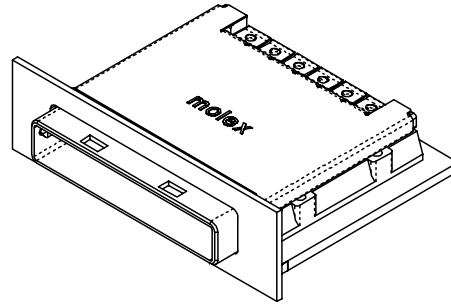
iPass™ is a trademark of Molex



ENTER DESCRIPTION EC NO: USY2007-0168 DRWN: SNAVARRO 2006/11/08 CHKD: BREED 2006/11/13 APPR: DDOYE 2006/11/14	QUALITY SYMBOLS ▽=0 ▽=0	GENERAL TOLERANCES (UNLESS SPECIFIED)		DIMENSION STYLE MM ONLY		SCALE 2:1	DESIGN UNITS METRIC	THIRD ANGLE PROJECTION		
		4 PLACES ± --- ± --- 3 PLACES ± --- ± --- 2 PLACES ± 0.05 ± --- 1 PLACE ± 0.10 ± --- ANGULAR ±1/2°	DRAWN BY BREED DATE 2004/11/11	TITLE I-PASS X8 EMI GUIDE HOUSING ASSEMBLY		MOLEX INCORPORATED				
		DRAFT WHERE APPLICABLE MUST REMAIN WITHIN DIMENSIONS	MATERIAL NO. SEE TABLE		DOCUMENT NO. SD-74540-100		SHEET NO. 1 OF 3		THIS DRAWING CONTAINS INFORMATION THAT IS PROPRIETARY TO MOLEX INCORPORATED AND SHOULD NOT BE USED WITHOUT WRITTEN PERMISSION	

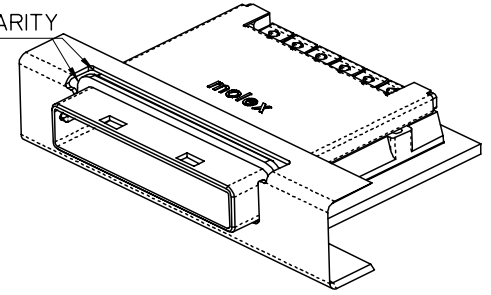


PCIe X8 GUIDE HOUSING ASSEMBLY

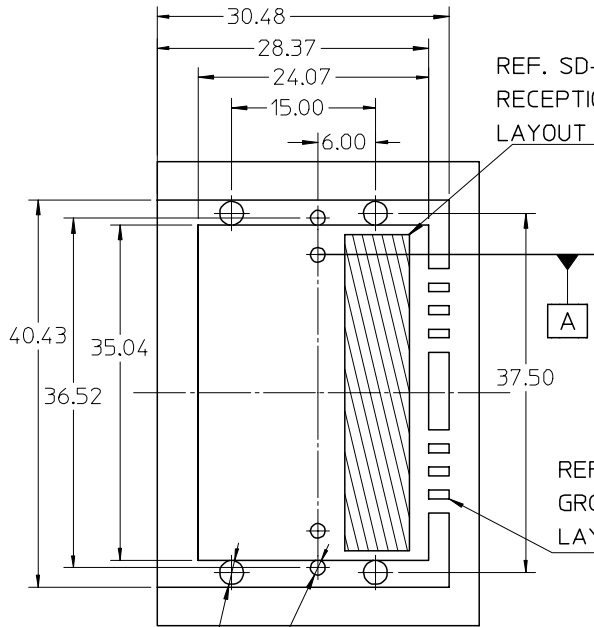


STANDARD APPLICATION SHOWN USING 0 DEG GUIDE HOUSING ASSEMBLY

GASKETS NOT SHOWN FOR CLARITY

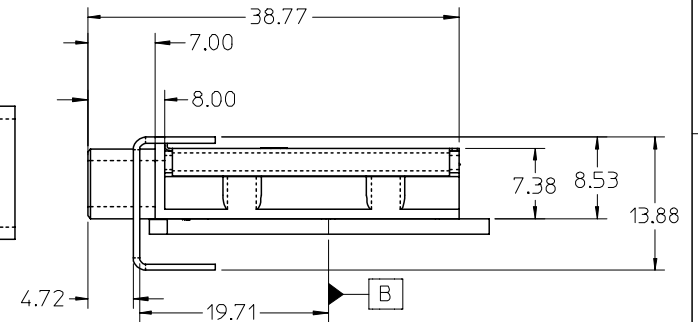
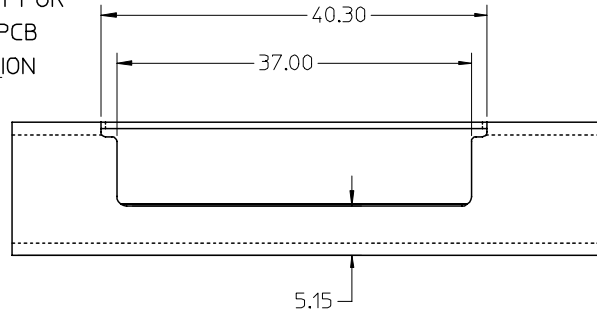


ADVANCED TCA APPLICATION USING 0 DEG GUIDE HOUSING ASSEMBLY



REF. SD-75586-001 FOR RECEPTAL AND PCB LAYOUT INFORMATION

REF. SHEET 3 FOR GROUND PAD ALLEY LAYOUT INFORMATION

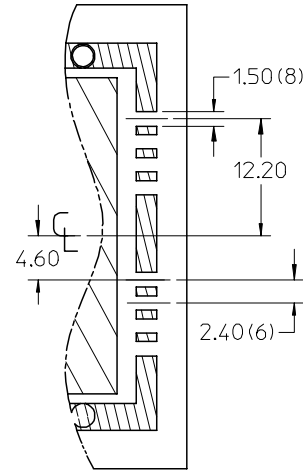


iPass™ is a trademark of Molex

ENTER DESCRIPTION EC NO: USY2007-0168 DRWN: SNAVARRO 2006/11/08 CHKD: BREED 2006/11/13 APPR: DDOYE 2006/11/14	QUALITY SYMBOLS ▽=0 ▽=0	GENERAL TOLERANCES (UNLESS SPECIFIED)		DIMENSION STYLE MM ONLY		SCALE 1:1	DESIGN UNITS METRIC	THIRD ANGLE PROJECTION
		4 PLACES ± --- ± ---	DRAWN BY BREED	DATE 2004/11/11	TITLE I-PASS X8 EMI GUIDE HOUSING ASSEMBLY			
		3 PLACES ± --- ± ---	CHECKED BY DDOYE	DATE 2004/11/11	MOLEX INCORPORATED			
		2 PLACES ± 0.05 ± --- 1 PLACE ± 0.10 ± --- ANGULAR ±1/2°	APPROVED BY DDOYE	DATE 2004/11/11	MATERIAL NO. SEE TABLE	DOCUMENT NO. SD-74540-100	SHEET NO. 2 OF 3	
DRAFT WHERE APPLICABLE MUST REMAIN WITHIN DIMENSIONS		THIS DRAWING CONTAINS INFORMATION THAT IS PROPRIETARY TO MOLEX INCORPORATED AND SHOULD NOT BE USED WITHOUT WRITTEN PERMISSION						

P/N	DESC	GEN
745400100	8x EMI Guide Housing Assembly - PCIe / 1 Deg	Gen 1
745400200	8x EMI Guide Housing Assembly - ATCA / 0 Deg	Gen 1

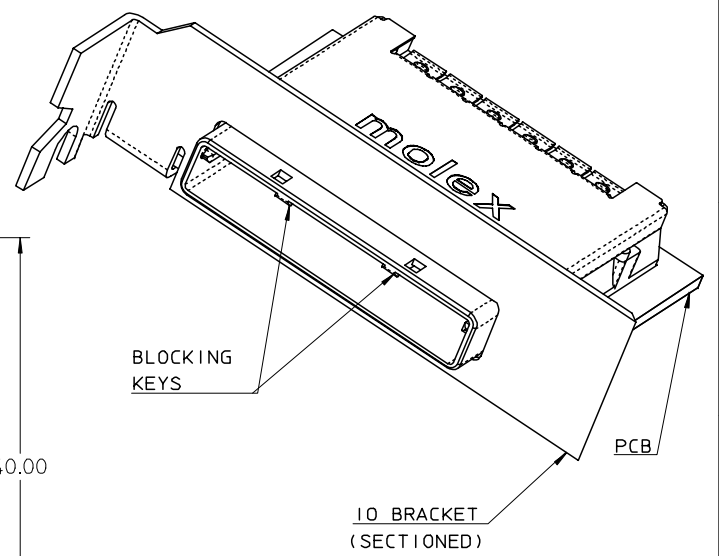
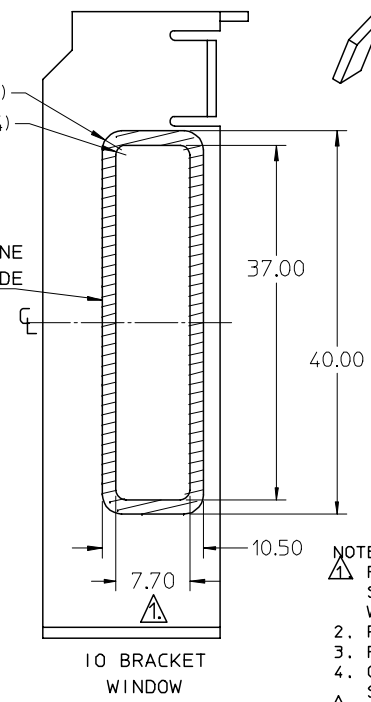
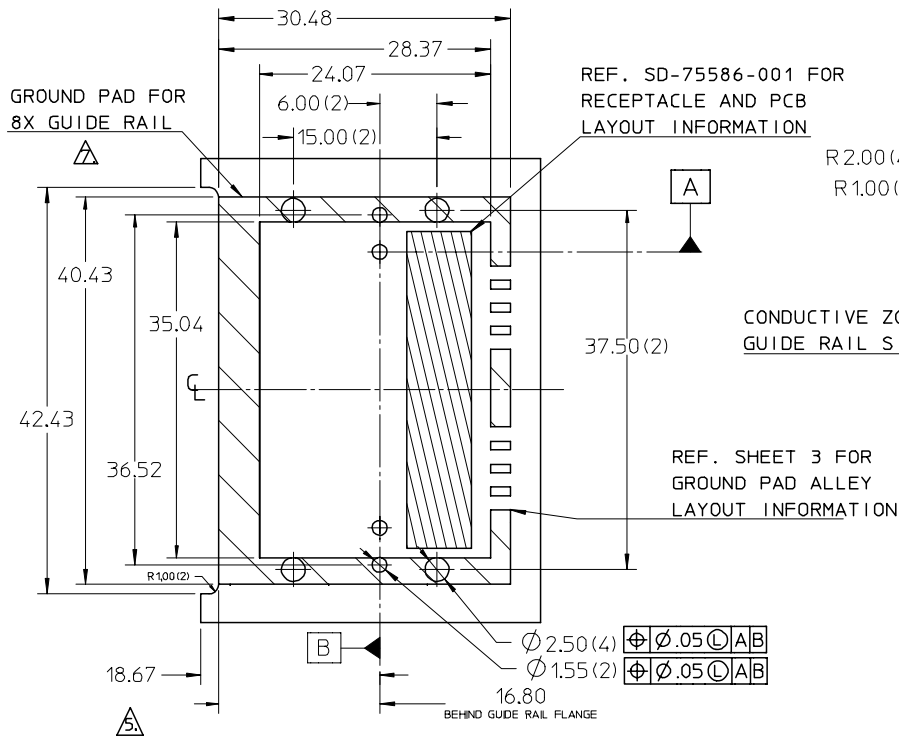
PCB THICKNESS	SCREW LENGTH	TORQUE (IN LBS)
1.6 (.063")	5MM	2.3
2.38 (.093")	6MM	2.3
3.2 (.125")	6MM	2.3
	+4MM MAX	2.3



PARTIAL1
SCALE 2:1
GROUND PAD ALLEY
LAYOUT INFORMATION

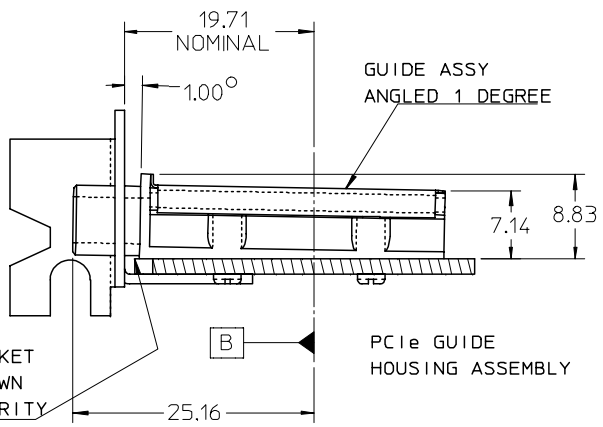


ENTER DESCRIPTION EC NO: USY2007-0168 DRWN: SNAVARRO CHKD: BREED APPR: DDOYE	2006/11/08 2006/11/13 2006/11/14	DESCRIPTION REV	QUALITY SYMBOLS	GENERAL TOLERANCES (UNLESS SPECIFIED)	DIMENSION STYLE	SCALE	DESIGN UNITS	THIRD ANGLE PROJECTION	
			▽=0 ▽=0	mm INCH 4 PLACES ± --- ± --- 3 PLACES ± --- ± --- 2 PLACES ± 0.05 ± --- 1 PLACE ± 0.10 ± --- ANGULAR ±1/2°	MM ONLY	1:1	METRIC		
				DRAFT WHERE APPLICABLE MUST REMAIN WITHIN DIMENSIONS	DRAWN BY: BREED DATE: 2004/11/11 CHECKED BY: DDOYE DATE: 2004/11/11 APPROVED BY: DDOYE DATE: 2004/11/11	TITLE	I-PASS X8 EMI GUIDE HOUSING ASSEMBLY		
					MATERIAL NO. DOCUMENT NO. SHEET NO.	MOLEX INCORPORATED SD-74540-100 3 OF 3			



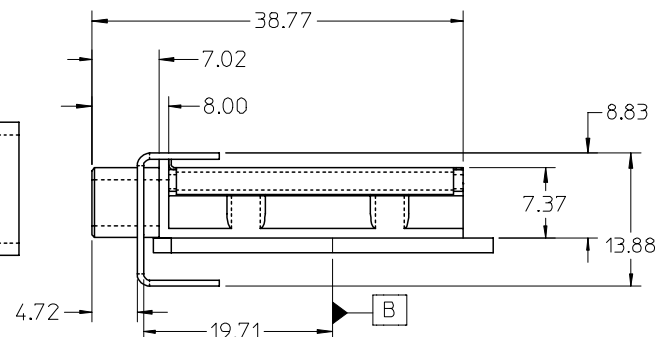
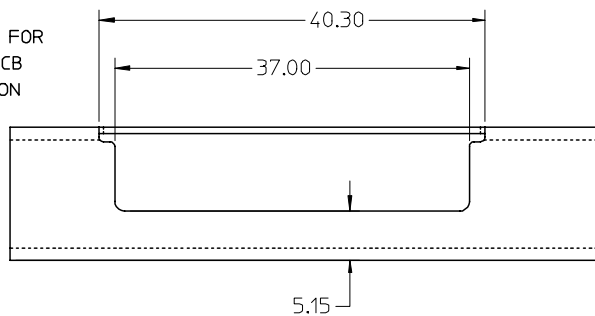
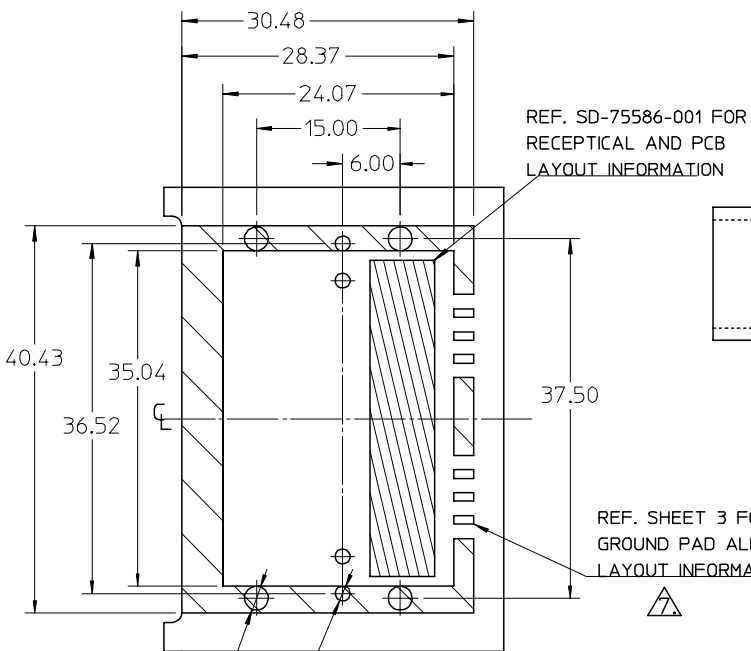
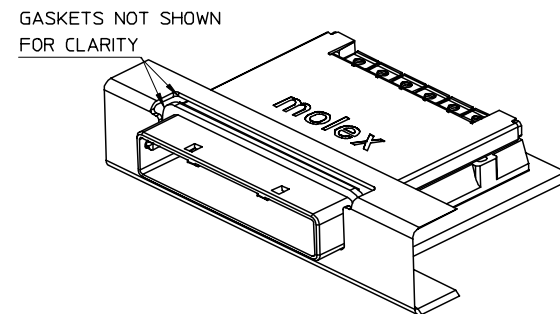
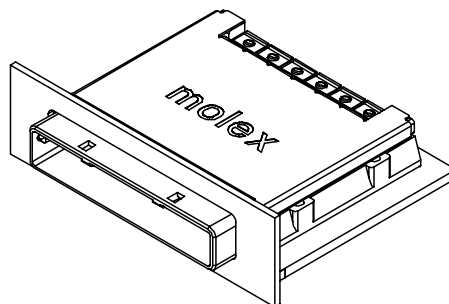
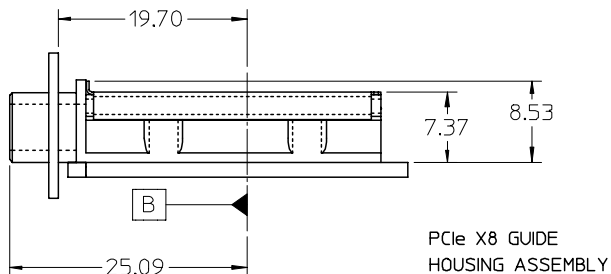
- NOTES:
- REF. PCI EXPRESS CARD ELECTROMECHANICAL SPECIFICATION, REV 1.0a FOR IO BRACKET WINDOW LOCATION.
 - PCB AND IO BRACKET SHOWN FOR REFERENCE ONLY.
 - REFER TO SHEET 2 FOR ATCA GUIDE HOUSING ASSY.
 - GUIDE HOUSING MOUNTING THREAD= M2 X 0.4. SEE SHEET 3 FOR SCREW LENGTH + TORQUE SPEC.
 - PCB NOTCH IS SHOWN FOR PCI COMPLIANT BOARD.
 - THIS PRODUCT MEETS THE RESTRICTION OF HAZARDOUS SUBSTANCES IN ELECTRICAL AND ELECTRONIC EQUIPMENT (RoHS) DIRECTIVE (2002/95/EC).
 - PLATE GROUND PAD WITH EMERSON SILVER OR GOLD.
 - MATES WITH MOLEX 8X CABLE SERIES 74546-080X.
 - GUIDE HOUSING PEGS FOR ALIGNMENT ONLY. DO NOT SOLDER.

PCIe EXPANSION CARD APPLICATION SHOWN USING 1 DEGREE GUIDE HOUSING ASSEMBLY



iPass™ is a trademark of Molex

ENTER DESCRIPTION EC NO: USY2007-0306 DRWN: JERWIN 2007/02/16 CHKD: BREED APPR: DDOYE 2007/02/27	QUALITY SYMBOLS ▽=0 ▽=0	GENERAL TOLERANCES (UNLESS SPECIFIED) mm INCH	DIMENSION STYLE MM ONLY	SCALE 2:1	DESIGN UNITS METRIC	THIRD ANGLE PROJECTION
	4 PLACES ± --- ± --- 3 PLACES ± --- ± --- 2 PLACES ± 0.05 ± --- 1 PLACE ± 0.10 ± --- ANGULAR ±1/2°	DRAWN BY DATE JERWIN 2006/05/25 CHECKED BY DATE BREED 2006/05/25 APPROVED BY DATE DDOYE 2006/05/25	MATERIAL NO. SEE TABLE	TITLE I-PASS X8 EMI GUIDE HOUSING ASSEMBLY W/KEYS	MOLEX MOLEX INCORPORATED	SHEET NO. 1 OF 3
	DRAFT WHERE APPLICABLE MUST REMAIN WITHIN DIMENSIONS	THIS DRAWING CONTAINS INFORMATION THAT IS PROPRIETARY TO MOLEX INCORPORATED AND SHOULD NOT BE USED WITHOUT WRITTEN PERMISSION				



ADVANCED TCA APPLICATION USING 0 DEG GUIDE HOUSING ASSEMBLY

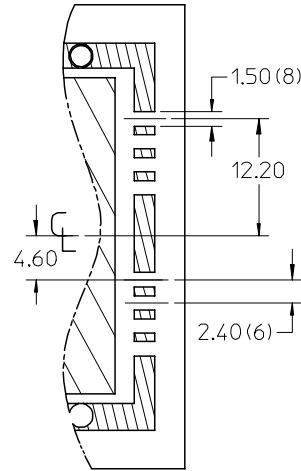
iPass™ is a trademark of Molex

$\varnothing 1.55 (2) \text{ } \oplus \text{ } \varnothing 0.05 \text{ } \ominus \text{ } \text{AB}$
 $\varnothing 2.50 (4) \text{ } \oplus \text{ } \varnothing 0.05 \text{ } \ominus \text{ } \text{AB}$

ENTER DESCRIPTION EC NO: USY2007-0306 DRWN: JERWIN 2007/02/16 CHKD: BREED 2007/02/19 APPR: DDOYE 2007/02/27	QUALITY SYMBOLS $\nabla = 0$ $\nabla = 0$	GENERAL TOLERANCES (UNLESS SPECIFIED)		DIMENSION STYLE MM ONLY		SCALE 1:1	DESIGN UNITS METRIC	THIRD ANGLE PROJECTION			
		4 PLACES ± --- ± ---	3 PLACES ± --- ± ---	2 PLACES ± 0.05 ± ---	1 PLACE ± 0.10 ± ---	DRAWN BY JERWIN	DATE 2006/05/25	TITLE I-PASS X8 EMI GUIDE HOUSING ASSEMBLY W/KEYS			
		ANGULAR ±1/2°				CHECKED BY BREED	DATE 2006/05/25	APPROVED BY DDOYE			
		DRAFT WHERE APPLICABLE MUST REMAIN WITHIN DIMENSIONS		MATERIAL NO. SEE TABLE	DATE 2006/05/25	MOLEX MOLEX INCORPORATED		DOCUMENT NO. SD-74540-101	SHEET NO. 2 OF 3		

P/N	DESC	GEN
745400101	8x EMI Guide Housing Assembly - PCIe / 1 Deg	Gen 1
745400201	8x EMI Guide Housing Assembly - ATCA / 0 Deg	Gen 1

PCB THICKNESS	SCREW LENGTH	TORQUE (IN LBS)
1.6 (.063')	5MM	2.3
2.38 (.093')	6MM	2.3
3.2 (.125')	6MM	2.3
X	+4MM MAX	2.3



PARTIAL1
SCALE 2:1
GROUND PAD ALLEY
LAYOUT INFORMATION



ENTER DESCRIPTION EC NO: USY2007-0306 DRWN: JERWIN 2007/02/16 CHKD: BREED 2007/02/19 APPR: DDOYE 2007/02/27	DESCRIPTION REV	QUALITY SYMBOLS	GENERAL TOLERANCES (UNLESS SPECIFIED)	DIMENSION STYLE	SCALE	DESIGN UNITS	THIRD ANGLE PROJECTION
		▼=0 ▽=0	mm INCH 4 PLACES ± --- ± --- 3 PLACES ± --- ± --- 2 PLACES ± 0.05 ± --- 1 PLACE ± 0.10 ± --- ANGULAR ±1/2°	MM ONLY	1:1	METRIC	DRAWN BY: JERWIN DATE: 2006/05/25 CHECKED BY: BREED DATE: 2006/05/25 APPROVED BY: DDOYE DATE: 2006/05/25
		DRAFT WHERE APPLICABLE MUST REMAIN WITHIN DIMENSIONS	SEE TABLE	TITLE: I-PASS X8 EMI GUIDE HOUSING ASSEMBLY W/KEYS MOLEX INCORPORATED			
				MATERIAL NO. SHEET NO. SD-74540-101 3 OF 3			
			THIS DRAWING CONTAINS INFORMATION THAT IS PROPRIETARY TO MOLEX INCORPORATED AND SHOULD NOT BE USED WITHOUT WRITTEN PERMISSION				